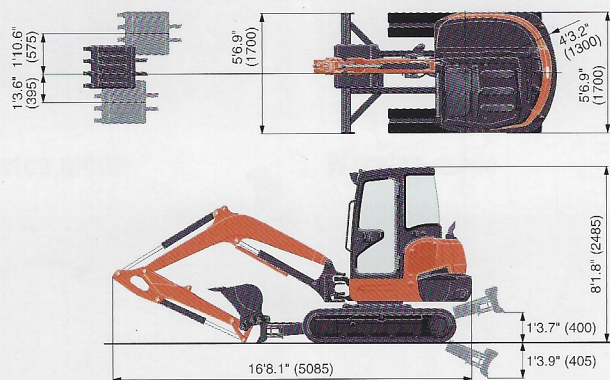


SPECIFICATIONS

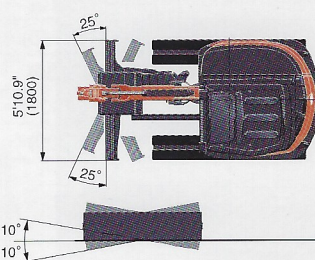
Model		KX040-4	KX040-4 Angle Blade	KX040-4 6-in-1 Blade	
Type of ROPS / OPG (TOP Guard, Level I)*		Canopy / Cab			
Type of tracks		Rubber / Steel			
Engine	Model	Kubota D1803-CR-TE4			
	Output (SAE J1995 gross)	HP (kW) / rpm	40.4 (30.1) / 2200		
	Output (SAE J1349 net)	HP (kW) / rpm	38.9 (29.0) / 2200		
	Displacement	cu. in. (cc)	111.4 (1826)		
Dimensions	Overall length	ft. in. (mm)	16'8.2" (5085)		
	Overall height	Canopy / Cab	ft. in. (mm)	8'1.8" (2485) / 8'1.8" (2485)	
	Overall width		ft. in. (mm)	5'6.9" (1700) / 5'10.9" (1800)	
	Min. ground clearance		in. (mm)	12.99" (330)	
Hydraulic system	Pump capacity	GPM (ℓ/min)	24.4 (92.4)		
	Auxiliary hydraulic flow	AUX1 / AUX2 GPM (ℓ/min)	17.2 (65) / 9.8 (37)		
	Max. breakout force	Bucket / Arm	9535 (4325) / 4112 (1865)		
Drive system	Travel speed	Low / High	mph (km/h)		
	Max. traction force	Low speed	lbf. (kgf)		
	Tumbler distance		ft. in. (mm)		
	Crawler length		ft. in. (mm)		
	Shoe width		ft. in. (mm)		
	Ground contact pressure	Rubber Canopy / Cab	psi (kPa)	4.53 (31.2) / 4.68 (32.3)	4.70 (32.4) / 4.86 (33.5)
	Steel Canopy / Cab	psi (kPa)	4.61 (31.8) / 4.76 (32.8)	4.78 (33.0) / 4.93 (34.0)	4.95 (34.1) / 5.10 (35.2)
Swing system	Unit swing speed		rpm		
	Boom swing angle	Left / Right	degree		
Blade	Dimensions	Width	ft. in. (mm)	5'6.9" (1700) / 5'10.9" (1800)	
		Height	ft. in. (mm)	1'1.8" (350) / 1'3.2" (385)	
	Max. lift above ground		ft. in. (mm)	1'3.7" (400) / 1'4.5" (420) / 1'4.9" (430)	
	Max. drop below ground		ft. in. (mm)	1'3.9" (405) / 1'8.1" (510) / 1'8.9" (530)	
	Angle	Left / Right	degree	25 / 25	
	Tilt	degree	10 / 10		
Hydraulic oil (Reservoir / System)			gal (ℓ)		
Fuel reservoir			gal (ℓ)		
Operating weight (Including operator's weight @ 165 lbs.)	Rubber Canopy / Cab	lbs. (kg)	9195 (4170) / 9500 (4310)	9545 (4330) / 9855 (4470)	9900 (4490) / 10210 (4630)
	Steel Canopy / Cab	lbs. (kg)	9350 (4240) / 9655 (4380)	9700 (4400) / 10010 (4540)	10055 (4560) / 10360 (4700)

* OPG (TOP Guard, Level I) in accordance with ISO10262 is equivalent in definition to FOPS (Falling Object Protective Structure). The company reserves the right to change the above specifications without notice. This brochure is for descriptive purposes only. Please contact your local Kubota dealer for warranty information. For your safety, Kubota strongly recommends the use of a Rollover Protective Structure (ROPS) and seat belt for almost all applications.

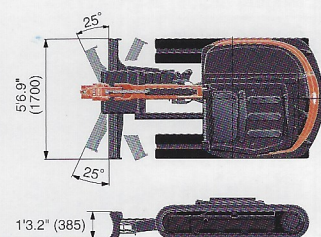
DIMENSIONS



6-in-1 Blade



Angle Blade



Unit: ft. in. (mm)

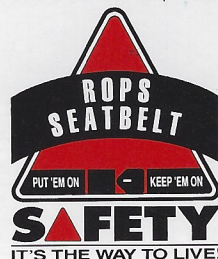
Kubota

KUBOTA TRACTOR CORPORATION

1000 Kubota Drive, Grapevine, TX 76051 Tel 888-4 KUBOTA

Visit our web site at: KubotaUSA.com

©2019 Kubota Corporation



**Kubota
Genuine Parts**
for maximum
performance,
durability and
safety

